

ESTAMPE

Design by

Noé Duchaufour-Lawrance



Description

Combining elegance, sobriety and finishing details, Estampe is marked out by fronts and sides in sawn oak, doors and drawers with slimmed-down edges and rounded corners, and a fixed linoleum-covered upper top.

Technical Specifications

CONSTRUCTION

The fronts have solid oak edging to the right and left, cut at 45°, and slim top and bottom edges. At the top only, the corners are rounded to echo those of the top and to provide elegant detailing.

The linoleum top is slightly elevated, seeming to float in its oak frame. It is glued onto a 5 mm thick strip of HPL laminate which, if necessary (e.g. to facilitate cleaning), may be easily removed without the use of tools thanks to the wheels inside each piece. The doors or drawers and edges are in sawn oak. There is 1 shelf behind each door and flap door. The foremost edge of the sides is cut at 45° from a solid wood strip.

Because of the very specific shape of this piece, the outer doors of the sideboards open in an unusual manner: the hinges are located on the internal panels of the sideboard (rather than on the external panels as is more usual).

The fronts and drawers are 'push-to-open'. The hinges and struts of the flap doors are nickel-plated.

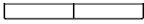
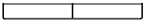
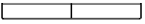






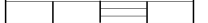
The bases of each piece have a smooth oak edge to coordinate with the rest of the

TV CABINET 2 FLAP DOORS NATURAL-FINISH SAWN OAK

Dimensions

H 49 cm - W 136 cm - D 47 cm -

Other sizes

				
TV CABINET 2 FLAP DOORS NATURAL-FINISH SAWN OAK	TV CABINET 2 FLAP DOORS HARGILE-STAINED SAWN OAK	TV CABINET 2 FLAP DOORS ANTHRACITE- STAINED SAWN OAK	TV CABINET 2 DRAWERS + 2 FLAP DOORS NATURAL-FINISH SAWN OAK	TV CABINET 2 DRAWERS + 2 FLAP DOORS HARGILE-STAINED SAWN OAK
Dimensions H 49 - cm W 136 - cm D 47 - cm	Dimensions H 49 - cm W 136 - cm D 47 - cm	Dimensions H 49 - cm W 136 - cm D 47 - cm	Dimensions H 49 - cm W 204 - cm D 47 - cm	Dimensions H 49 - cm W 204 - cm D 47 - cm
				
TV CABINET 2 DRAWERS + 2 FLAP DOORS ANTHRACITE- STAINED SAWN OAK	SIDEBOARD 3 DOORS NATURAL-FINISH SAWN OAK	SIDEBOARD 3 DOORS ARGILE- STAINED SAWN OAK	SIDEBOARD 3 DOORS ANTHRACITE- STAINED SAWN OAK	SIDEBOARD 3 DOORS + 3 DRAWERS NATURAL-FINISH SAWN OAK
Dimensions H 49 - cm W 204 - cm D 47 - cm	Dimensions H 79 - cm W 136 - cm D 47 - cm	Dimensions H 79 - cm W 136 - cm D 47 - cm	Dimensions H 79 - cm W 136 - cm D 47 - cm	Dimensions H 79 - cm W 181 - cm D 47 - cm

structure. Tables have an argile lacquered metal base.

Two low tables and a sofa end table are also on offer, still in the spirit of the range, that is, with a linoleum top set within oak edging. The argile lacquered steel uprights surround a thick lower surface in sawn oak veneer. Two sizes of low table are available: 120 x 70 and 118 x 118. The lower tops of the low tables and bedside tables are in sawn oak veneer.

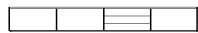
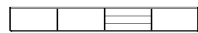



The type of linoleum selected (Pebble-coloured, thickness 2 mm) is of 'desktop quality', specially formulated for use on desks or low tables. It is glued onto a 5 mm thick HPL laminate base, the 45° edging of which is invisible; let us not forget that linoleum is made from linseed oil and powdered wood or cork, protected by a surface varnish. It is, therefore, a noble, natural material, invented in the 19th century and which should never be confused with PVC.






The fact that it is widely used as a floor covering is in itself a gauge of its resistance and durability, not forgetting, of course, that it is easily maintained.





More info at

<http://lignerose.com>

© Ligne Roset 2016

				
SIDEBOARD 3 DOORS + 3 DRAWERS ARGILE-STAINED SAWN OAK	SIDEBOARD 3 DOORS + 3 DRAWERS ANTHRACITE- STAINED SAWN OAK	SIDEBOARD 3 DRAWERS + 2 SHELVES NATURAL-FINISH SAWN OAK	SIDEBOARD 3 DRAWERS + 2 SHELVES ARGILE-STAINED SAWN OAK	SIDEBOARD 3 DRAWERS + 2 SHELVES ANTHRACITE- STAINED SAWN OAK
Dimensions H 79 - cm W 181 - cm D 47 - cm	Dimensions H 79 - cm W 181 - cm D 47 - cm	Dimensions H 74 - cm W 204 - cm D 47 - cm	Dimensions H 74 - cm W 204 - cm D 47 - cm	Dimensions H 74 - cm W 204 - cm D 47 - cm

				
SIDEBOARD 4 DOORS + 3 DRAWERS NATURAL-FINISH SAWN OAK	SIDEBOARD 4 DOORS + 3 DRAWERS ARGILE-STAINED SAWN OAK	SIDEBOARD 4 DOORS + 3 DRAWERS ANTHRACITE- STAINED SAWN OAK	3 DRAWER CHEST NATURAL-FINISH SAWN OAK	3 DRAWER CHEST ARGILE- STAINED SAWN OAK
Dimensions H 79 - cm W 227 - cm D 47 - cm	Dimensions H 79 - cm W 227 - cm D 47 - cm	Dimensions H 79 - cm W 227 - cm D 47 - cm	Dimensions H 79 - cm W 97 - cm D 47 - cm	Dimensions H 79 - cm W 97 - cm D 47 - cm

			
3 DRAWER CHEST ANTHRACITE- STAINED SAWN OAK	CHEST OF DRAWERS NATURAL-FINISH SAWN OAK	CHEST OF DRAWERS ARGILE-STAINED SAWN OAK	CHEST OF DRAWERS ANTHRACITE- STAINED SAWN OAK
Dimensions H 79 - cm W 97 - cm D 47 - cm	Dimensions H 126 - cm W 45 - cm D 47 - cm	Dimensions H 126 - cm W 45 - cm D 47 - cm	Dimensions H 126 - cm W 45 - cm D 47 - cm